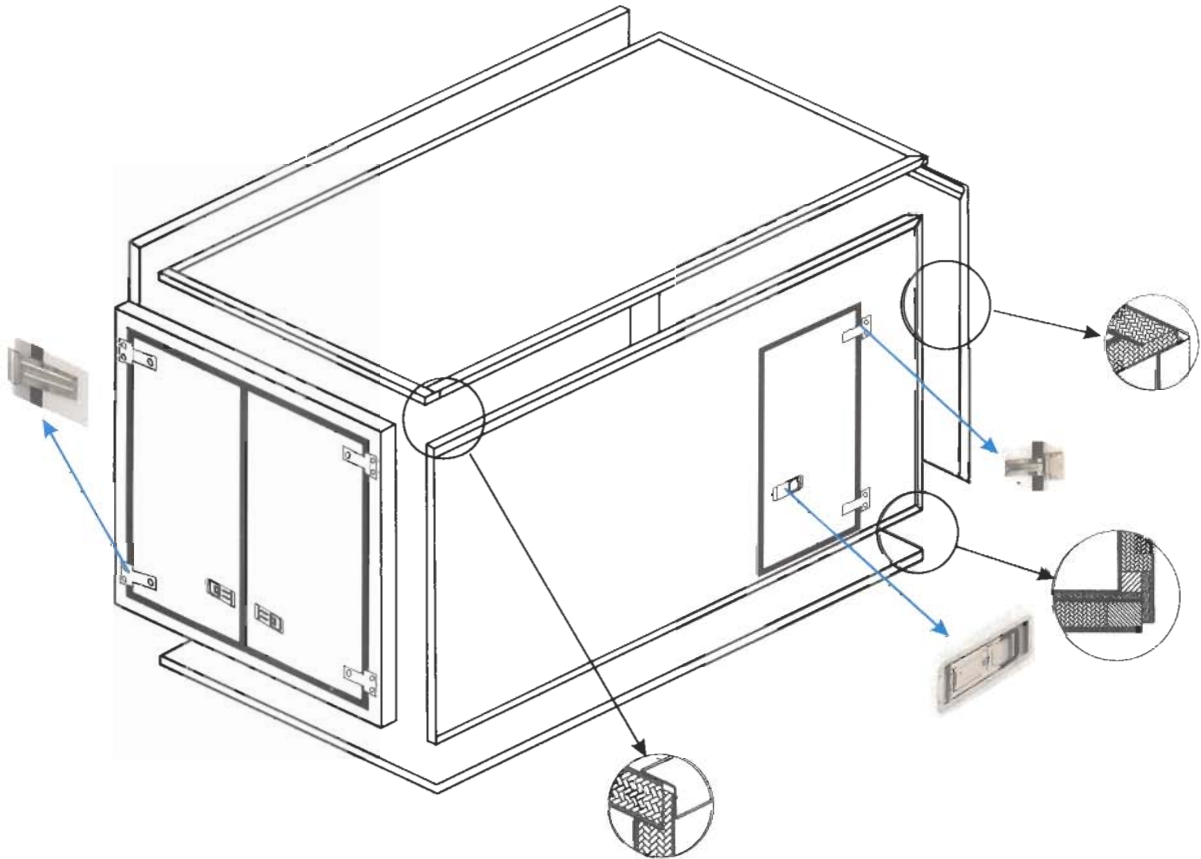




REFRIGERATION AND DRY BOXES IN KIT



Introduction :

A new technique suitable for all truck manufacturing and distributors. Refrigeration and dry boxes in kit (full kit simple in assembly, fast in delivery & high quality and very low shipping cost. (no need for high sophisticated tools) .

Specification :

1- Walls and ceiling:

a) GRP sheets (European supplied) made of CSM or woven roving glass fibres for shock and scratch resistance specially treated for ultra-violet rays absorption, water and chemicals resistance, high gloss and heat reflectance. These sheets for the inner and outer skins of the panels.

b) Insulating material is made of Styrofoam (Refrigerated transported RTM or HD High density) supplied by one of the biggest international companies working in that field. Styrofoam specifications are :

More than 40 kg/M3 Density.

Water absorption not more than 0.5% by weight.

Heat transfer 0.025 W/M2.

Foam is equipped with small longitudinal grooves in complete vacuum on the surface from inside and outside to provide flexibility for the box when vehicle is travelling on unpaved tracks or bumps.

- All raw materials used in manufacturing Styrofoam are environment friendly.

2- Floors : floors are made from a layer of Styrofoam (HD High density) which stands highly concentrated loads (Loading forklift and pallets) where its density is reach 50 Kg / M3 and the under neath surface of the floor is protected by layer of plywood and GRP to prevent the penetration of any foreign objects to prevent the penetration of any foreign objects Platform surface can be covered with each of the following :

a) **Using chemical compounds :** that provides high resistance to water, acids, bacteria, fungus and scratch and gives very attractive look. It can also have a smooth, shiny surface or rough surface according to customer's needs. These chemical surface are considered as the highest international standard in this matter.

b) **Using checkered plate :** This type of surfaces are used to transport any kind of goods except fish and meat products.

c) **Using (T) section aluminum profile (specially made for our company) :** mostly used in big boxes and semi-trailers to provide adequate air circulation to and from the cooling unit with no obstacles which achieves the best performance and prevents damaging of the cargo in the lower and rear portion of the box.

3- Doors : doors are made with the same insulation materials & fitted with special frames on which rubber gaskets with 5 ribs are fixed in order to ensure proper sealing action and this gasket can stand temperature difference more than 50° C down to - 50° C with no effect on the rubber properties or the efficiency of the gasket. Doors are also equipped with stainless steel Italian made accessories produced. By the largest international companies specialized in producing heavy duty, best quality, high thickness and shiny accessories under any operating conditions. We are also capable of manufacturing any kind of doors according to customer's needs. Doors are also fitted with rubber bumpers for protection against colliding with the sides when opened. Stainless steel retainers are fixed on the door to keep it in position when in open mode.

4- Lighting: Boxes are equipped with a number of lamps according to the size of the box. These lamps are dipped inside the roof, which makes it impossible to break when loading and unloading. They are also heat resistant and can stand temperature down to -30°C.

Tools and Time required for Assembly :

- * Small air or electric tools (drill, screw-driver and rivetting machine
- * Small welding machine .
- * Hand Tools .
- * 32 Man hour per 3.1 m long box.
- * 48 Man hour per 4.35 m long box.
- * 64 Man hour per 6.8 m long box.

Technical Assistance:

Full Technical Assistance, including training in our facilities, on site training, drawing and jigs.

Warranty :

2 years warranty against Manufacturing Defect.

How To Contact Us :

Location# 181 , st. #8, 3rd Industrial Zone, 6 October City, Giza, Egypt

P.O.Box # : 11-Postal Code : 12581, 6 October City, Giza, Egypt.

Tel.: (+202) 8339592 / 3 - (+2010) 6699152 - (+2012) 2486922 - Fax: (+202)8339592/3

